



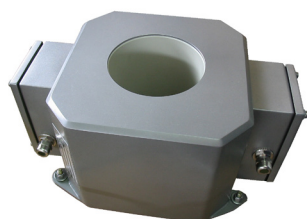
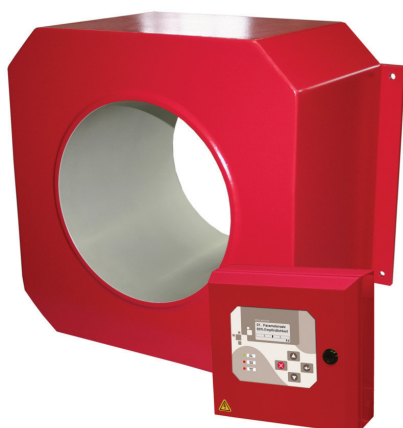
# Metron 05 CR

## METAL DETECTION

**CLOSED TUNNEL TYPE DETECTOR WITH CIRCULAR APERTURE FOR INSTALLATION IN GRAVITY OR VACUUM/PRESSURE CONVEYING LINES**

**Reliable** in Process and Detection  
**Durable** in Technology and Performance  
**Easy** in Installation and Handling

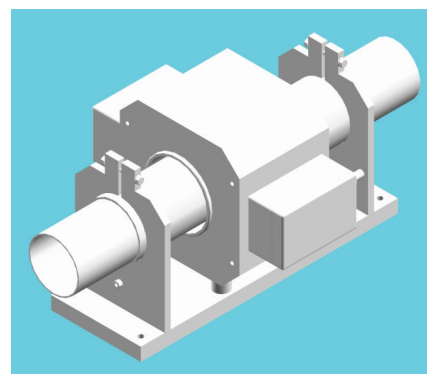
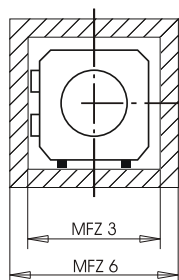
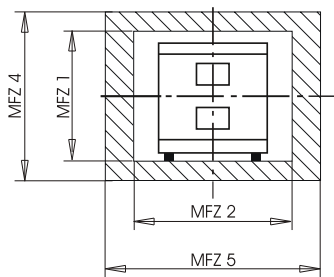
- Metal detector for installation in pipe systems
- Detects all metals encapsulated or as loose parts.
- Highest sensitivity even in rough industrial environments.
- Used for quality control or machine protection.
- User friendly and reliable technology
- Horizontal or vertical mount
- The integrated signal processor (DSP) is the precondition for digital, 2 channel signal processing, even with conveying speeds as high as 30 meters/sec.



### Applications

Quality inspection (to meet the requirement of ISO9000, HAACP, IFS, BRC SQF)  
Machinery protection

### Metal Free Zone (MTZ)



### Calculating the 'metal free zone'

#### For Non-moving Metals

MFZ 1 = SH = 60mm

MFZ 2 = L + LW

MFZ 3 = 2 LW

#### For moving metals

MFZ 4 = 4 LW + 30mm

MFZ 5 = L + 3.5 LW

MFZ 6 = 4 LW

Position the detector aperture in the middle of the 'metal free zone'  
For the other levels (MFZ 1,3,4,and 6) position the detector symmetrical in relation to the aperture.