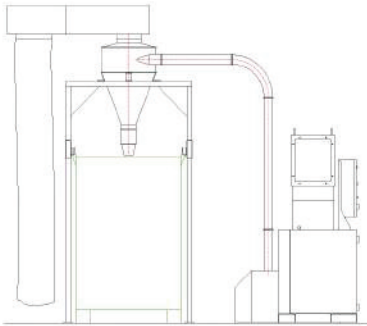
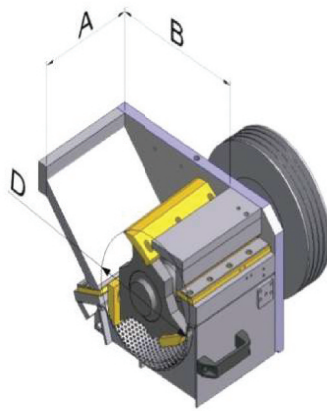
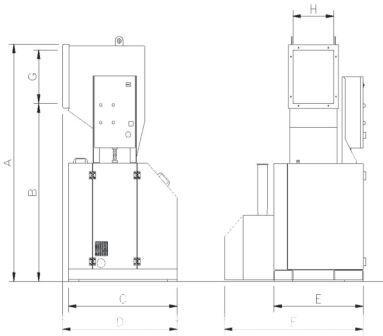


# CENTRAL GRANULATOR



**R80-150 DATA SHEET**

## Technical Data

Series Type	46		55		70		80
	80	130	80	100	80	100	150
Power kW	37	45	55	75	90	110	200
Grinding chamber "AxB" mm	800x450	1300x400	800x550	1000x550	800x735	1000x735	1500x700
Rotor "D" Ø mm	460	460	550	550	700	700	800
Adjustable rotating blades nr.	3-5	5	3-5	3-5	3-5	3-5	3-5-7
Adjustable counter blades nr.	4	8	2	2	4	8	10
Capacity (indicative) kg/h	800	1000	1200	1300	1500	2000	3500
Screen mm	12	12	12	12	12	12	12
Rotor speed rpm	450	415	415	515	454	457	415
Suction system kW	7.5	7.5	9	11	11	15	30
Lateral rotor disks	ok	ok	ok	ok	ok	ok	ok

## Machine Sizes

Model	A	B	C	D	E	F	G	H
130-46	3370	2420	1800	1800	2350	3330	800	1300
80-46	2352	1654	1700	1636	1590	2830	650	800
80-55	3325	2400	2400	2500	1920	3440	850	800
100-55	3325	2400	2400	2470	2120	3640	850	1000
80-70	3420	2600	2480	2570	1920	3440	700	800
100-70	3420	2600	2480	2570	2200	3720	700	1000
150-80	3520	2700	2480	2570	2620	4070	700	1500

# RENMAR

## PLASTICS MACHINERY

Tel: 0844 6933225

Email: [info@renmar.co.uk](mailto:info@renmar.co.uk)

[www.renmar.co.uk](http://www.renmar.co.uk)