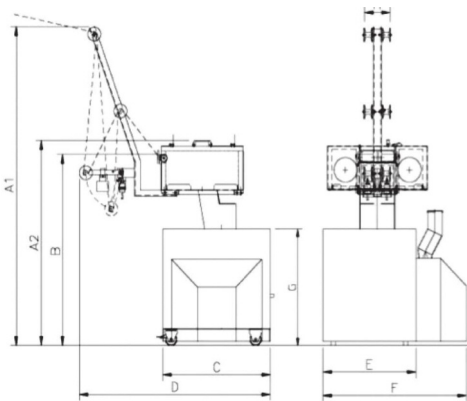
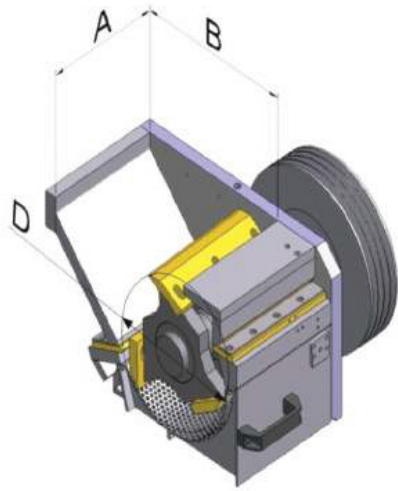


EDGE TRIM GRANULATOR

TT22 - 33 DATA SHEET



Machine Sizes

Model	A1	A2	B	C	D	E	F	G	H
33-26	2030	1290	1200	950	1350	800	1160	800	180

Technical Data

Series / Type	26/33	
Power	kW	5.5
Grinding chamber "AxB"	mm	340x230
Rotor "D" Ø	mm	260
Adjustable rotating blades	nr.	3
Adjustable counter blades	nr.	2
Capacity	kg/h	200
Screen	mm	8
Rotor speed	rpm	415
Suction system	kW	0.55
Lateral rotor disks		ok

RENMAR

PLASTICS MACHINERY

Tel: 0844 6933225

Email: info@renmar.co.uk

www.renmar.co.uk