

NOTE: CUSTOMER IS RESPONSIBLE FOR PROVIDING A MAIN POWER DISCONNECT SWITCH AND OVERCURRENT PROTECTION PER NEC SECTION 430 AND UL 508A REQUIREMENTS.

SCRR IS 10KA RMS SYMMETRICAL, 480V MAXIMUM WITH CUSTOMER PROVIDED TYPE CC, J, OR T FUSES FOR 40A SWITCH.
 SCRR IS 50KA RMS SYMMETRICAL, 480V MAXIMUM WITH CUSTOMER PROVIDED TYPE J OR T FUSES FOR 100A SWITCH.
 SCRR IS 100KA RMS SYMMETRICAL, 480V MAXIMUM WITH CUSTOMER PROVIDED TYPE J FUSES FOR 200A SWITCH.
 SCRR IS 100KA RMS SYMMETRICAL, 480V MAXIMUM WITH CUSTOMER PROVIDED TYPE J FUSES FOR 400A SWITCH.

NOTE: TRANSFORMER PRIMARY JUMPER CONNECTIONS
 480V- H3 TO H2
 240V- H1 TO H3, H2 TO H4
 208V- NO JUMPERS AVAILABLE

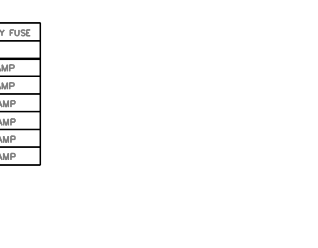
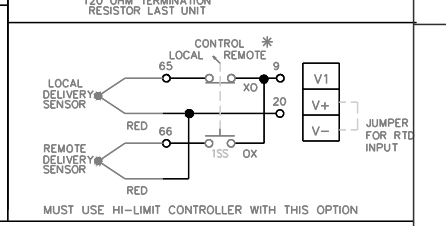
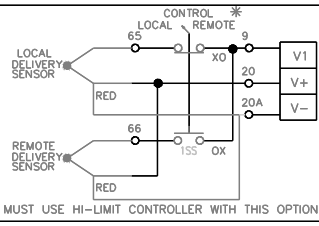
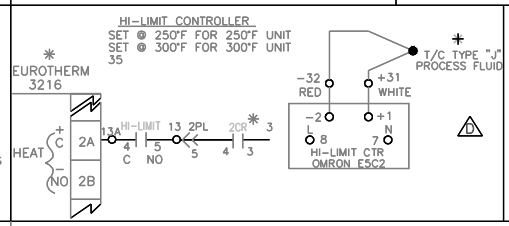
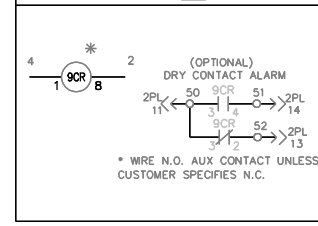
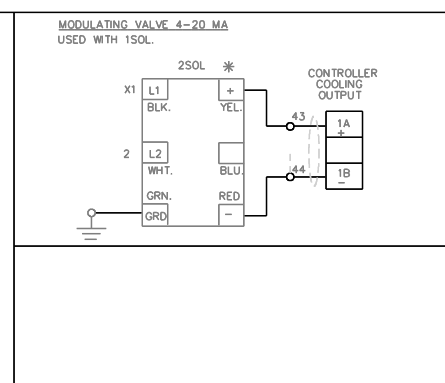
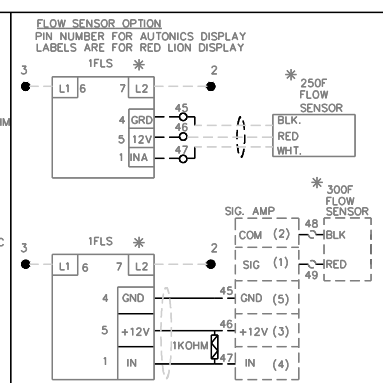
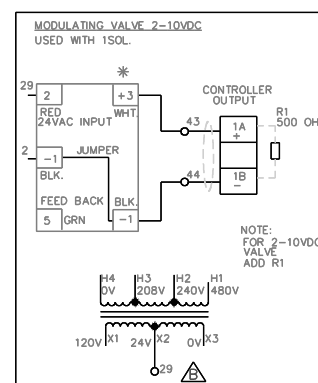
NOTE
 AN OUTPUT IS PROVIDED FOR CUSTOMER SUPPLIED ALARM ANNUNCIATOR. ALARM SHOULD BE CHOSEN TO MEET YOUR UNIQUE ENVIRONMENTAL REQUIREMENTS. OPTIONAL FACTORY INSTALLED ALARMS ARE AVAILABLE.

1PM #	A	B	C
701-00066-00	4	3	5
200-480V	3	4	5
UL L PHASE RELAY	U	V	W

- NOTES:
 1.) * INDICATES A DEVICE NOT MOUNTED ON THE ELECTRIC PANEL.
 2.) LAST WIRE NO. USED: 66
 3.) OPTIONAL EQUIPMENT IS INDICATED BY DASHED LINES.

COMPONENT WATT RATING					
NEMA CONTACTORS	D.P. CONTACTORS	IEC CONTACTORS	RELAYS	SOLENOIDS	LAMPS
00,0.1 24W	40A 4.4W	28-1211 63A 37.3W	4PDT .9W	1/4" 10.1W	FULL VOLT 3W
2 60W	60A 6W	60-72.85 100A 64W	2PDT 1.2W	1/2" 10.1W	TRANSFORMER 1.5W
3 82.5W	90A 16W	82.5-8300 130A 189W	MACH. TOOL 7W	3/4" 6.1W	IDI INCAND .5W

PUMP MOTOR AMPS @ VOLTAGE 345RPM		MOTOR FUSE SIZE 3 PM		MAIN PROTECTION		CLASS "CC" FUSE		SECONDARY FUSE					
HP	208	240	380	415	480	575	VA	208	240	380	415	480	575
1/3	1.7	1.6	.97	.88	.8	.6	1/3	3	3	2	2	1.5	1.5
1/2	2.5	2.4	1.5	1.33	1.2	1	1/2	5	5	3	3	2.5	2
3/4	3.4	3.2	1.94	1.77	1.6	1.28	3/4	7	7	4	4	4	2.5
1	3.4	3.2	1.94	1.77	1.6	1.28	1	7	7	4	4	4	2.5
1.5	5.1	4.6	2.78	2.55	2.3	1.84	1.5	10	10	6	6	5	4
2	5.9	5.6	3.39	3.14	2.8	2.24	2	12	12	7	7	6	5
3	8.4	8.0	4.84	4.43	4.0	3.2	3	15	15	10	10	9	7
5	12.0	11.4	6.9	6.33	5.7	4.56	5	25	20	15	12	10	10
7.5	15.2	14.4	8.7	8.0	7.2	5.76	7.5	40	30	20	20	15	15



JUCHE CONNECTION
 NOTE: TRANSFORMER PRIMARY JUMPER CONNECTIONS
 480V- JUMPER H1 TO H6, LINE IN: H2 AND H5
 240V- JUMPER H1 TO H2, H5 TO H6, LINE IN: H1 AND H6

REV	DESCRIPTION	ECN	NAME	DATE
F1	DISCONNECT NOTE CHANGED	1308-007	ATJ	3/21/14

FABRICATION TOLERANCES UNLESS OTHERWISE SPECIFIED: DIMENSIONS ARE IN INCHES

DRAWN	CCW	9/7/04
CHECKED		
ENG APPR.	MM	3/21/14

PRODUCT CATEGORY: TCU WATER COMPACT/UPRIGHT

PART NO	NAME	DATE	THIRD ANGLE PROJECTION	TITLE
				DIAG,ELEM,WAT,2010,DIN, EURO,3216,RLY,PCB

SCALE: 1 OF 1

682.92334.00