



p-u-l-s-o-t-r-o-n-i-c

Subject to change without change!
Rev. 0901

Metal separator M-Pulse / Digital+ / MESEP

VA

Application

The VA separator is appropriate for applications in the plastics, the pharmaceutical, the chemical or the food industry. The separating mechanics consists of durable stainless steel. Different operating electronics allow adapted solutions for each application. All kinds of free-falling bulk material are detected fast and reliably on metallic contamination. The compact design and transmission ports in different sizes make this separator appropriate for most applications.



Metal separator VA

Function

In the upper part of the separator the sensor coil of the metal detector is situated. If metal falls through the sensor the signal is collected and processed by the operating electronics. Subsequently the electronics precisely excites the pulse for piloting the ejection flap. The flap is opened and metal is separated safely from the product stream. The robust, pneumatic driven mechanics guarantees durability. The functioning of the mechanics can be monitored constantly by several alerters. Thus the device permanently ensures that all metallic pieces have really been separated from the product stream.

Specific characteristics

- maintenance-free mechanics
- different transmission ports available
- robust, pneumatic-driven ejection mechanics
- electronics adapted to the application available
- large range of accessories available
- all devices mechanically compatible



p-u-l-s-o-t-r-o-n-i-c

Metal separator VA

Type	VA 25	VA 35	VA 50	VA 70	VA 100					
Mechanical data										
Aperture - D model MESEP VA	not available	29 mm	45 mm	65 mm	94 mm					
Aperture - D model Digital+ VA model M-Pulse VA	24 mm	29 mm	45 mm	65 mm	94 mm					
Material-ejection unit	stainless steel									
Material-base frame	aluminium / stainless steel									
Material-protection tube ²	phenolic resin									
Payload	max. 50 kg									
Weigth	~ 17 kg									
Conditions of use										
Storage temperature	-10 .. 60°C									
Operating temperature	0 .. 60°C									
Protection class	IP50									
Electrical connection	see datasheet of the control units									
Pneumatic connection	4-6 bar, filtered, free of water and oil; 1/8" - male nippel									
max. drop heighth of the bulk material	0 .. 600 mm (from top edge)									
Troughput ³	450 l/h	600 l/h	2.000 l/h	5.400 l/h	14.000 l/h					
Sensitivity¹										
Material - test pieces ⁴	FE	SS	FE	SS	FE	SS	FE	SS	FE	SS
M-Pulse	0,15	0,4	0,2	0,5	0,3	0,7	0,5	1,0	0,7	1,2
Digital+	0,2	0,5	0,3	0,6	0,35	0,9	0,6	1,1	0,8	1,3
MESEP	not available	0,5	0,8	0,6	1,2	1,0	1,5	1,3	2,0	

Order code:

Electronic

M-Pulse / Digital+ / MESEP

Type of seperator

VA 25 - VA 100

(e.g.: Digital VA 50)

¹ The actual sensitivity depends on various factors. Unfavourable environmental conditions or vibrations can reduce the sensibility. Conductive test material can also influence the sensibility. For obliging information please contact our service or sales department. Our service includes product tests in our headquarters. (all data in mm)

² Other materials available. (glas, antistatic; wear-resistant)

³ Measured with granulate PET - grain dimension 2 - 4 mm.

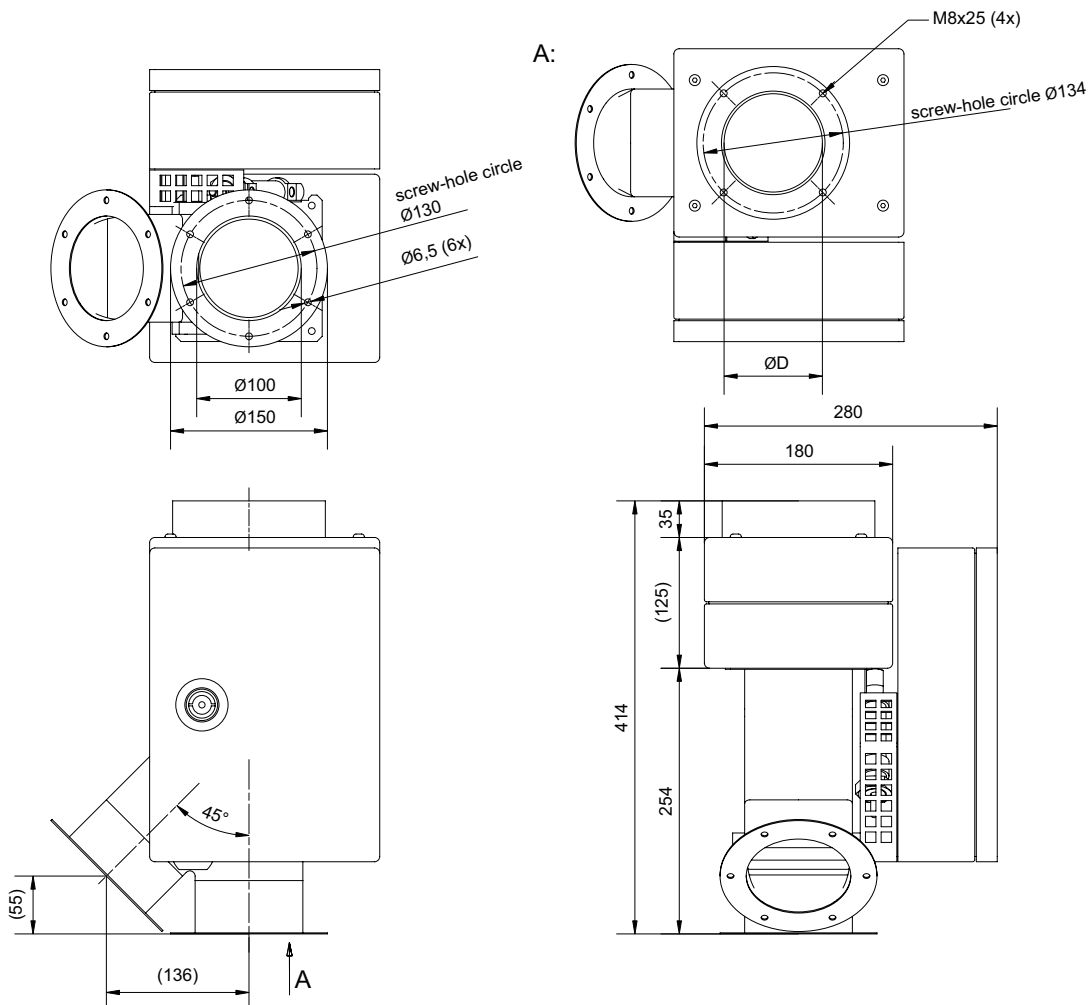
⁴ FE → Ferrous / SS → Stainless steel



Special designs & accessories

Designation	Order number
Pneumatic guard	When ordering please add option 45.
Voltage- und pneumatic guard (Flap automatic switches into throw-off position at blackout or falling pressure)	When ordering please add option 40.
Remote terminal (max. 3 m cable length) (only M-Pulse/Digital+)	When ordering please specify
Wear-resistant model (for very abrasive bulk material)	When ordering please add option 44.
Test pieces - certified - Fe/NonFe/SS	on request
Pneumatic cooling (product temperature up to 90°C)	When ordering please specify
Fan cooling (product temperature up to 70°C)	When ordering please specify

Dimensions - MESEP VA 35 .. 100



Metal separator VA



Metal separator VA

Dimensions

