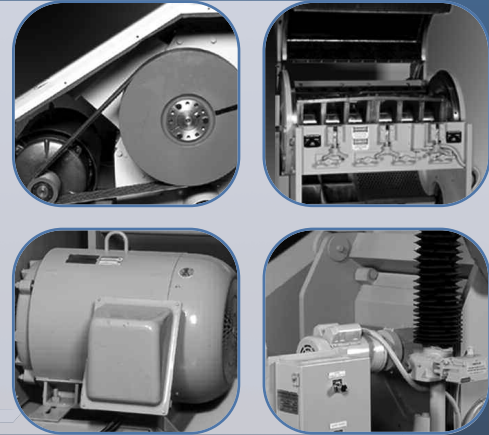


X SERIES

Central Granulators



Versatility and Strength For the Toughest Injection Molded Parts

Cumberland's X Series is one of the most versatile central granulators available. Ideally suited for applications including large injection or blow molded parts, automotive moldings, light purgings, furniture and appliance parts.

The X Series comes in 3 widths—700mm, 1000mm, and 1400mm, with throughput rates ranging from 820 to 1600 kg/hr. The X Series also features low-heat granulation made possible through its unique rotor and cutting chamber design that prevents polymer "melt-down" and virtually eliminates "endplate smearing".

www.cumberlandeurope.com

Features

- Unique rotor and disc design reduces frictional heat, helps prevent end plate smearing
- Exclusive Twin Shear slicing action reduces energy consumption, fines and extends knife life
- Split chamber, easy cleanout service access

Low-Heat Granulation

- Unique rotor and cutting chamber design helps prevent polymer "melt-down"
- Virtually eliminates "endplate smearing"
- End ring (disc) rotates in relationship to the cutting chamber, vastly improving airflow and minimizing frictional heat

Reduced Energy Consumption

- Made possible by the Twinshear® "scissor cutting" action knife design
- More efficient than chopping motion knife designs
- Uses lower horsepower motor without sacrificing throughput performance

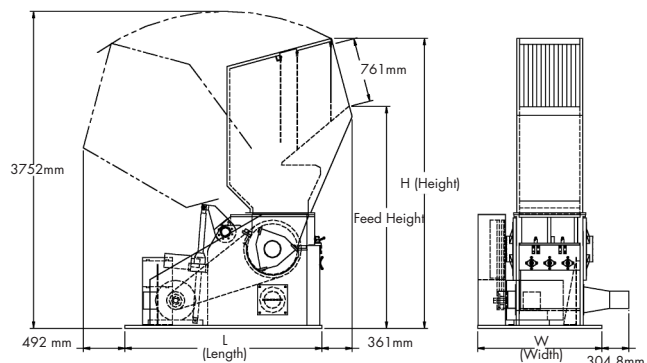
Easy Accessibility and Cleanout

- Due to split chamber design which raises the upper half of the cutting chamber and lowers the screen cradle and discharge assembly via motorized screw jacks.
- 50% reduction in clean out time
- Simplifies access for knife adjustments and replacement
- Air evacuation piping system does not need to be disconnected

Low Noise Operation

- Standard double-walled hopper helps avoid the need for sound insulation rooms on plant floor

Specifications	X700	X1000	X1400
Throat Size	600 x 700 mm	600 x 1000 mm	600 x 1400 mm
Cutting Circle	600 mm		
Throughput (10mm screen)	820 kg	1200 kg	1600 kg
Infeed	Convey		
Cutting Chamber	(2) Bed Knife Chevron		
Rotor	(3) Knife Chevron		
Rotor Knives	(6) HCHC		
Bed Knives	(4) HCHC		
Screen Diameter	9.4 mm		
Base	Plate Type		
Discharge	Airveyor		
Motor	37 kW (50 HP)	90 kW (100 HP)	90 kW (125 HP)
Drive	V-Belt		
Electrical Components	Safety switches wired into common junction box		
Controls	To suit voltage - 110V at operator station		
Labels	Labels and plates provided for operator safety		
Accessories	Conveyors, blowers, cyclone separators to suit application		
Feed Height	2175 mm		
Length	2660 mm		
Width	1473 mm	1778 mm	2184 mm
Height	3429 mm		
Weight	4545 kg	5910 kg	7270 kg



Ruggedly built to international standards, these machines will handle a wide variety of applications including bulky blow molded parts, thermoformed web and cut-sheet products, extruded sheet and film, plus the full gamut of post-consumer plastics for recycling operations.

Global Headquarters

Cumberland Schaumburg
1100 E. Woodfield Road
Suite 550
Schaumburg, IL 60173
Tel: +1 (262) 641 8600
Fax: +1 (262) 641 8653

Cumberland New Berlin
2900 S 160th Street
New Berlin, WI 53151
Tel: +1 (262) 641 8600
Fax: +1 (262) 641 8653

Cumberland Suzhou
109 Xingpu Road SIP
Suzhou, China 215126
Tel: +86 512 8717 1919
Fax: +86 512 8717 1916

Cumberland Warsaw
ul. Działkowa 115
02-234 Warszawa
Tel: + 48 22 390 9720
+ 48 22 390 9721
+ 48 22 390 9722
Fax: + 48 22 390 9724

Cumberland India
Gat No. 191/1, Sandbhor Complex,
Mhalunge, Chakan, Tal Khed,
Dist. Pune 410501, India
Tel: +91 21 35329112
Fax: +91 20 40147576

