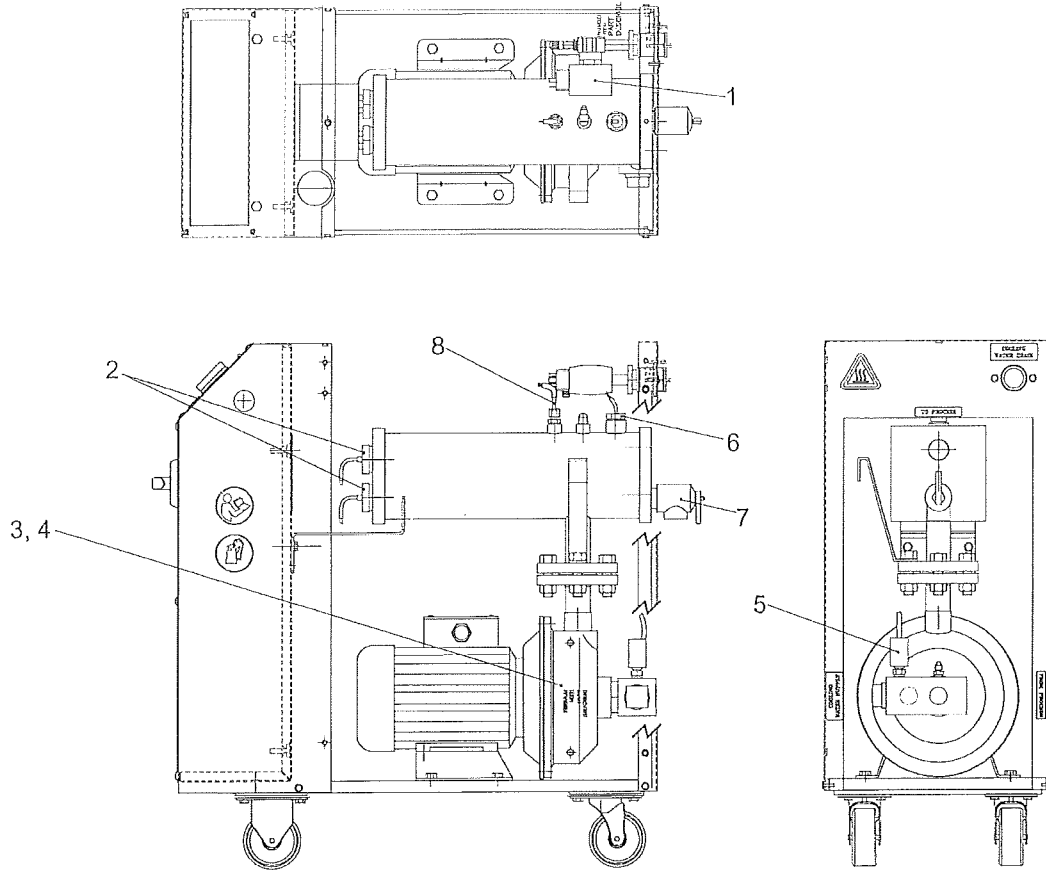




**ZG Series Water Temperature Control Units**  
Reference Manual (PN: 682.98752.02) for  
Complete Operation and Installation Instructions

**Spare Parts Location**  
(See next page for Spare Parts List)





**ZG Series Water Temperature Control Units**  
 Reference Manual (PN: 682.98752.02) for  
 Complete Operation and Installation Instructions

**Spare Parts List**

(See previous page for Spare Parts Location)

| Cooling Valve<br>1 | Description                 | Part No.     |
|--------------------|-----------------------------|--------------|
|                    | 1/4"(0.64cm) x 5/32 orifice | 732.00451.00 |

| Immersion Heater<br>2 | Description                 | Part No.     |
|-----------------------|-----------------------------|--------------|
|                       | 3-kW (3 required for 9 kW)  | 722.92129.01 |
|                       | 4-kW (3 required for 12 kW) | 722.92129.02 |
|                       | 9kW-12kW Heater Contactor   | 726.10206.00 |

| Motor Pumps<br>3 | Description           | Part No.     |
|------------------|-----------------------|--------------|
|                  | 1HP 3/50/380V Pump    | 075.62602.00 |
|                  | 1HP - MCP             | 726.10202.00 |
|                  |                       |              |
|                  | 2HP 3/50/380V Pump    | 075.62603.00 |
|                  | 2HP - MCP             | 726.10203.00 |
|                  |                       |              |
|                  | 3HP 3/50/380V Pump    | 075.62604.00 |
|                  | 3HP - MCP             | 726.10205.00 |
|                  |                       |              |
|                  | 1HP-2HP-3HP Contactor | 726.10205.00 |

| Seal Kit<br>4 | Description          | Part No.                |
|---------------|----------------------|-------------------------|
|               | 1HP-2HP-3HP Seal Kit | <del>162.00130.01</del> |

*162.00130.45*

| Pressure Switch<br>5 | Description     | Part No.     |
|----------------------|-----------------|--------------|
|                      | 1.1 bar (16PSI) | 733.00045.00 |

| Safety<br>Thermostat<br>6 | Description              | Part No.     |
|---------------------------|--------------------------|--------------|
|                           | 121°C (250°F) Thermostat | 724.00665.00 |

| Relief Valve<br>7 | Description                    | Part No.     |
|-------------------|--------------------------------|--------------|
|                   | 10.3 bar (150PSI) Relief Valve | 044.01359.00 |

| Thermo-Couple<br>8 | Description          | Part No.     |
|--------------------|----------------------|--------------|
|                    | Type K Thermo-Couple | 701.00124.00 |

\*\* Reference complete manual (PN: 682.98752.02) for proper settings and installation