



Application Engineering®

PROVIDING SOLUTIONS, NOT JUST EQUIPMENT



TRUETEMP II SERIES WATER TEMPERATURE CONTROL UNIT

The TrueTemp II Series Water Temperature Control Units meet all of your direct injection temperature control needs. Standard features include vertically mounted 310 stainless steel immersion heaters, bronze-fitted centrifugal pumps from 0.56 to 3.75 kW, 1/4" NPT solenoid valves, branch circuit fusing, and automatic vent sequence. These units are protected by an independent high temperature safety thermostat, an adjustable low supply water pressure switch (set at 1.1 bar) and 10.3 bar pressure relief valve.

- Graphic control panel with indicator and warning lights
- Compact cabinet
- Branch fusing
- Independent high temperature safety thermostat
- Input pressure gauge

Big On Precision. Small In Size

Available in 120°C models

With IEC Contactors

**Small And Compact With
The Price To Match**

STANDARD FEATURES

- Off-the-shelf microprocessor based PID temperature controller with Process and setpoint ($\pm 0.6^{\circ}\text{C}$ accuracy)
- Centrifugal pump
- 310 stainless steel heater
- 1/4" NPT solenoid valves
- Adjustable low pressure switch

AVAILABLE OPTIONS

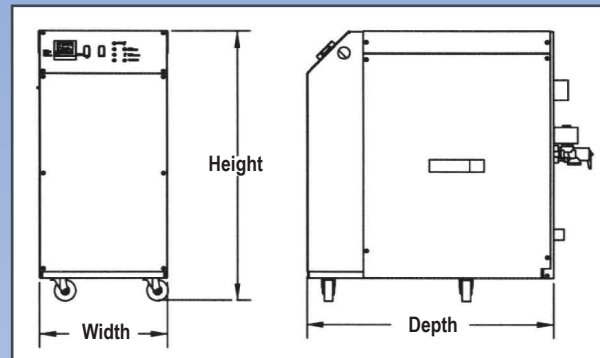
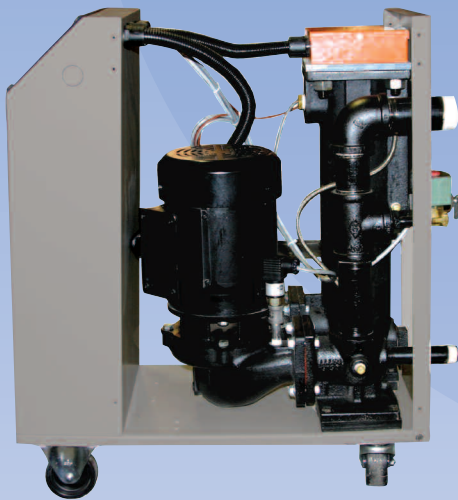
- 12 kW heater
- 150°C operation; includes silicon carbide seal (requires 3.5 bar minimum water supply pressure)
- Manual bypass
- Pressure regulator/relief valve for water supply
- Y-strainer
- Quick-cool switch
- 1/2" and 3/4" NPT cooling solenoid slow-closing valve
- Auto system water purge
- Audible/visual alarm
- Remote start/stop
- RS232, RS485 communications
- Rotary through-the-door disconnect switch
- Pressure gauge

TRUETEMP II SERIES TEMPERATURE CONTROL UNITS

www.aecinternet.com



Model	Pump, kW	Flow, lpm	Pressure, bar	FLA, 9 kW @ 400/380VAC/5/30	FLA, 12 kW @ 400/380VAC/5/30	Height, mm	Width, mm	Depth, mm	Ship. weight, kg
075	0.56	114	1.7	15.4	20	635	310	660	95
100	0.75	132	2.0	16	21	635	310	660	95
200	1.49	189	2.0	18	23	635	310	660	95
300	2.24	227	2.7	20	24	635	310	660	95
500	3.73	284	3.7	23	28	635	310	660	110



www.aecinternet.com
aecweb@corpemail.com

AEC is committed to a continuing program of product improvement. Specifications, appearances and dimensions are subject to change without notice.
 © 2011 AEC Bulletin AE1-105.1 Printed in USA

TRUETEMP II SERIES TEMPERATURE CONTROL UNITS



Global Headquarters:

AEC Schaumburg
 1100 E. Woodfield Rd #588
 Schaumburg, IL 60173
 Tel: +1 847 273 7800
 Fax: +1 847 273 7804

AEC New Berlin
 2900 S. 160th Street
 New Berlin, WI 53151
 Tel: +1 262 641 8600
 Fax: +1 262 641 8653



AEC Suzhou
 109 Xingpu Road SIP
 Suzhou, China 215126
 Tel: +86 512 8717 1919
 Fax: +86 512 8717 1916



AEC Warsaw
 ul.Dziakowa 115
 02-234 Warszawa
 Tel: + 48 22 390 9720
 Fax: + 48 22 390 9724



AEC India
 Gat No. 191/1, Sandbhor Complex,
 Mhalunge, Chakan, Tal Khed,
 Dist. Pune 410501, India
 Tel: +91 21 35329112
 Fax: +91 20 40147576